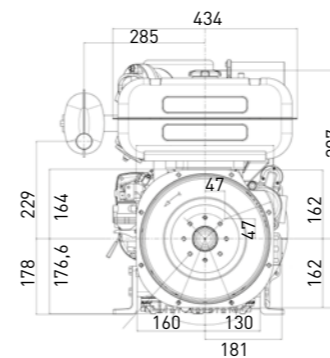
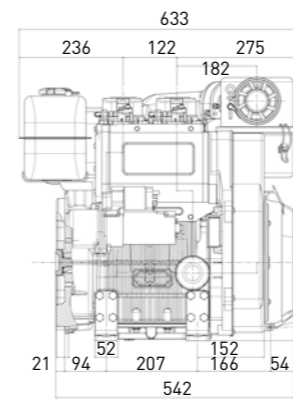
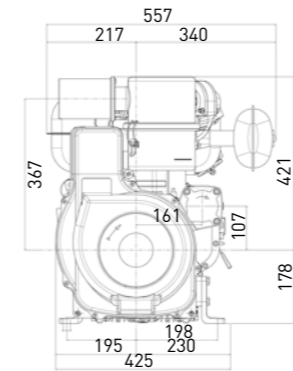


KD 625/2

DATA

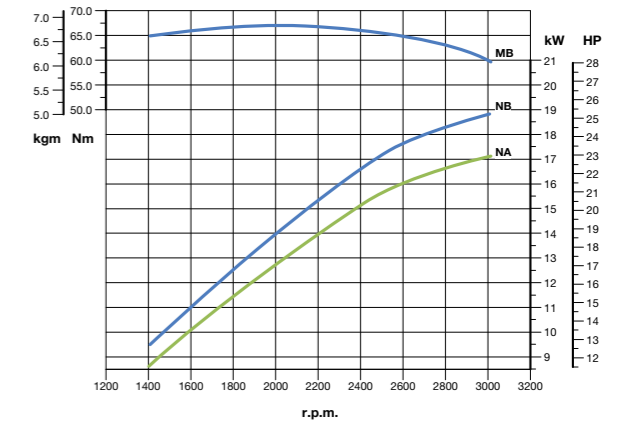
Dimensions (mm)



PERFORMANCE CURVES

(IFN-ACCORDING TO ISO 3046 and ISO 14396)

KD-625/2 ECE R 24



- N - Power curve - 80/1269/CE E-ISO 1585
- NB - Power curve - ISO 3046/1 - IFN
- NA - Power curve - ISO 3046/1 - ICXN
- MB - Torque curve - (NB curve)

Power ratings refer to engines equipped with air filter, standard muffler, after running-in period at ambient conditions of +25°C, relative humidity 30% and 1 bar. Power levels drop by 1% every 100 m altitude and by 2% every 5°C above +25°C.

Setting @ 2800 RPM

Power NB (kW)	Torque NB (Nm)
18.2 @ 2800 rpm	67.0 @ 2000 rpm

Quick specifics

CYLINDERS	2
MAX POWER kW (hp)@rpm	18.8 (25.2) @ 3000
MAX TORQUE Nm@rpm	67.0 @ 2200

(Power & torque NB curve - ISO 3046/1 - IFN)

